

# RPL FABRIC DISPLAY 10FT STRAIGHT



\*Optional LED light



## Product Features

Our ultra lightweight aluminum alloy fabric pop-up display in a matte satin anodized finish is an ideal eye-catcher for your trade show, exhibition, or conference. Its versatility and simple 2-minute setup, as well as its Velcro attachment, makes it functional for special events as well as an in-office promotional tool for walk-in customers. Another convenient feature is that your graphic stays attached in your free travel/carry bag that comes with each frame you purchase.

|                   |                                     |
|-------------------|-------------------------------------|
| Display Dimension | 118"W x 89"H x 12"D                 |
| Graphic Size      | 118"W (144"W with endcaps) x 89.5"H |

## Graphic Material

Stretch Fabric

## Graphic Finishing

2" loop Velcro perimeter

## Construction

Aluminum Frame

2" Hook Velcro Strips

Plastic Hooks

## Weights - Dimensions

|                     |                 |
|---------------------|-----------------|
| Shipping Weight     | 31 lbs          |
| Shipping Dimensions | 12" x 12" x 35" |

## Package Includes

- (1) Aluminum Frame
- (1) Digital Print on Fabric w/ End Panels
- (1) Padded Nylon Bag with drawstring

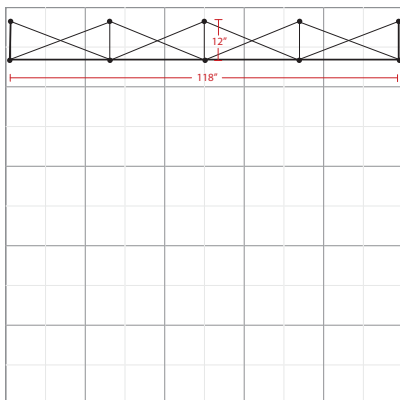
## Warranty

- Life Time on Stand
- 1 Year on Graphic

## Graphic Specification

118"W (144"W with endcaps) x 89.5"H

*Graphic Turnaround Time is 2 business days for up to 2 sets*



The box represents  
10' x 10' booth.



\*Package includes padded  
nylon travel bag

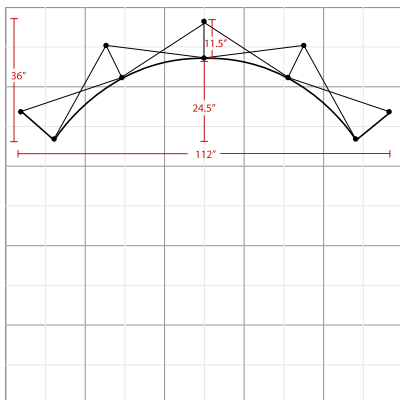
# RPL FABRIC DISPLAY 10FT CURVE



\*Package includes padded nylon travel bag



\*Optional LED light



The box represents  
10' x 10' booth.

## Product Features

Our ultra lightweight aluminum alloy fabric pop-up display in a matte satin anodized finish is an ideal eye-catcher for your trade show, exhibition, or conference. Its versatility and simple 2-minute setup, as well as its Velcro attachment, makes it functional for special events as well as an in-office promotional tool for walk-in customers. Another convenient feature is that your graphic stays attached in your free travel/carry bag that comes with each frame you purchase.

|                   |                                       |
|-------------------|---------------------------------------|
| Display Dimension | 118"W x 89"H x 12"D                   |
| Graphic Size      | 107"W (132.5"W with endcaps) x 88.5"H |

## Graphic Material

2" loop Velcro perimeter

## Graphic Finishing

Stretch Fabric

## Construction

Aluminum Frame

2" Hook Velcro Strips

Plastic Hooks

## Weights - Dimensions

|                     |                 |
|---------------------|-----------------|
| Shipping Weight     | 31 lbs          |
| Shipping Dimensions | 12" x 12" x 35" |

## Package Includes

(1) Aluminum Frame

(1) Padded Nylon Bag with drawstring

## Warranty

Life Time on Stand

1 Year on Graphic

## Graphic Specification

107"W (132.5"W with endcaps) x 88.5"H

*Graphic Turnaround Time is 2 business days for up to 2 sets*



\*Optional Ready  
Pop light

## Product Features

The RPL Fabric Pop Up is the perfect display on the go. it's ready in minutes. The lightweight aluminum alloy frame locks in place using plastic hooks. Fasten the graphic to the frame with hook & loop. interchangeable graphics make it a versatile choice. Easily collapse the frame with front graphic attached and stow in your carry bag.

|                   |                     |
|-------------------|---------------------|
| Display Dimension | 180"W x 89"h x 12"D |
|-------------------|---------------------|

|              |                                      |
|--------------|--------------------------------------|
| Graphic Size | 175"W (201"W with end caps) x 89.5"H |
|--------------|--------------------------------------|

## Graphic Material

Stretch Fabric

## Graphic Finishing

2" loop Velcro perimeter

## Construction

Aluminum Frame

2" Hook Velcro Strips

Plastic Hooks

## Weights - Dimensions

|                 |        |
|-----------------|--------|
| Shipping Weight | 37 lbs |
|-----------------|--------|

|                     |                       |
|---------------------|-----------------------|
| Shipping Dimensions | 20" L x 12" W x 35" H |
|---------------------|-----------------------|

## Package Includes

(1) Aluminum Frame

(1) Digital Print on Fabric w/ End Panels

(1) Padded Nylon Bag with zipper

## Warranty

Life Time on Stand

1 Year on Graphic

## Graphic Specification

175"W (201"W with end caps) x 89.5"H

*Graphic Turnaround Time is 2 business days for up to 2 sets*



\*Package includes padded  
nylon travel bag

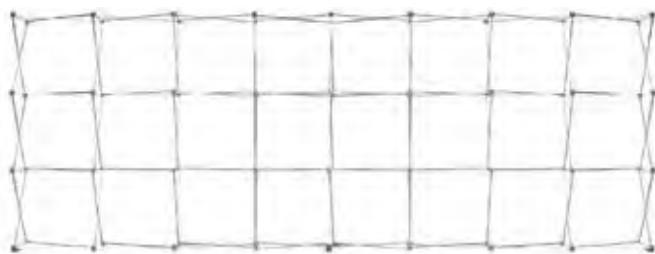
# RPL 20 FT. STRAIGHT

RPL FABRIC POP UP DISPLAY

PRODUCT CODE: RPL8X3



On frame On graphic



RPL Light Black  
UL Listed  
(Optional)



RPL Light Silver  
UL Listed  
(Optional)



RPL LED Light Black  
UL Listed  
(Optional)



RPL LED Light Silver  
UL Listed  
(Optional)



\*Package includes padded nylon travel bag

## PRODUCT DESCRIPTION

The RPL Fabric Pop Up is the perfect display on the go and is ready in minutes. The lightweight aluminum alloy frame locks in place using plastic hooks. Attach the graphic to the frame with hook and loop fasteners. Interchangeable graphics make it a versatile choice. Easily collapse the frame with front graphic attached and stow in your carry bag.

|                    |                     |
|--------------------|---------------------|
| DISPLAY DIMENSIONS | 240"W x 89"H x 12"D |
| GRAPHIC SIZE       | 256.5"W x 89"H      |

## GRAPHIC MATERIAL

Stretch Fabric

## GRAPHIC FINISHING

2" Loop Velcro on back perimeter

## DISPLAY CONSTRUCTION

Aluminum frame, 2" Velcro (hook) strips, and plastic hooks.

## SHIPPING WEIGHTS & DIMENSIONS

|                     |   |
|---------------------|---|
| Shipping Weight     | 47 lbs (stand only)<br>50 lbs (frame and graphic) |
| Shipping Dimensions | 26"L x 12"W x 36"H                                |

## LARGE QUANTITY FREIGHT

|                  |   |
|------------------|---|
| Freight Shipping | 8 boxes per 48"L x 40"W x 65"H skid               |
| Freight Weight   | 421 lbs (frame only)<br>445 lbs (frame & graphic) |

## GRAPHIC TURN AROUND TIME

Next business day after proof approval

## AVAILABLE ACCESSORIES

|                             |                                 |
|-----------------------------|---------------------------------|
| RPL Light (Black or Silver) | RPL LED Light (Black or Silver) |
| <b>AVAILABILITY</b>         | CA and PA                       |

# RPL 20 FT. STRAIGHT

RPL FABRIC POP UP DISPLAY

PRODUCT CODE: RPL8x3

## PARTS LIST



(Qty 1) 20ft RPL Frame  
(with pre-installed graphic)



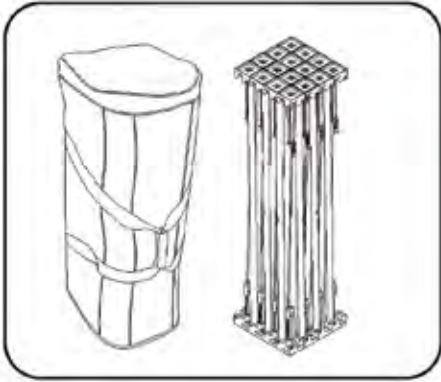
(Qty 1) 20ft RPL Bag

# RPL FABRIC POP UP DISPLAY SET UP INSTRUCTIONS

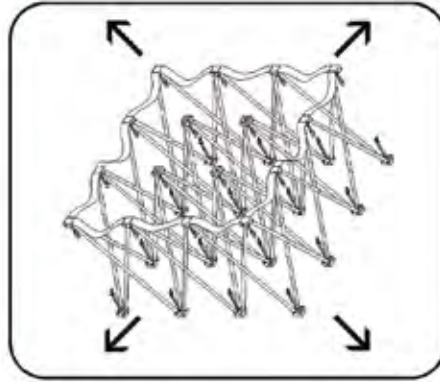
The following instructions are compatible with all shapes and sizes of RPL frames

## Frame Assembly

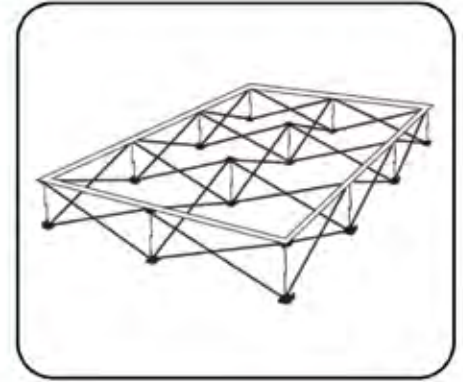
1. Remove frame from bag.



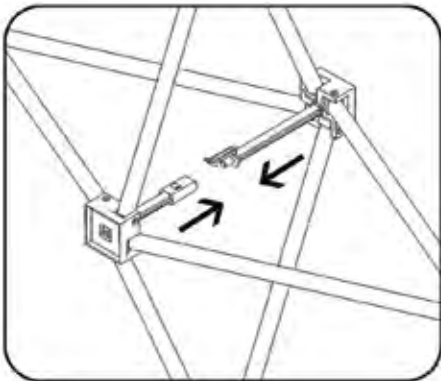
2. Expand frame by pulling outward.



3. Make sure velcro strips are facing up.

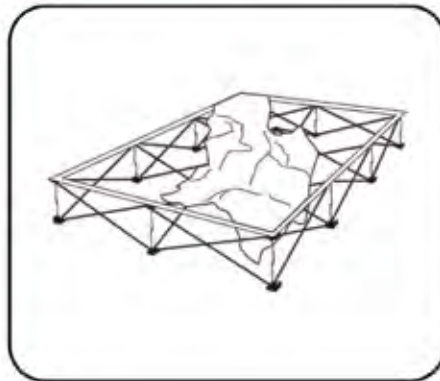


4. Push together all locks on frame to connect.

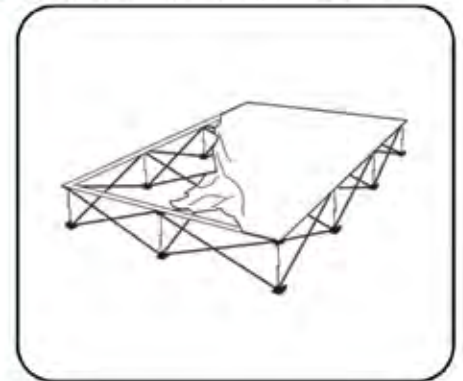


## Graphic Installation

5. Starting at one corner, attach velcro on the graphic to velcro on the frame.



6. Attach the rest of the graphic by working your way around the frame. Make sure graphic is pulled taut while attaching the velcro.



7. If needed, adjust graphic for maximum tautness. Secure end caps to complete.



\*Note - To avoid damage, disconnect end caps and all hooks before collapsing frame. Graphic can remain on frame during storage.



# RPL 20' x 10' STRAIGHT

RPL FABRIC POP UP DISPLAY

PRODUCT CODE: RPL8X4STR



On frame



On graphic



## PRODUCT DESCRIPTION

The RPL Fabric Pop Up is the perfect display on the go and is ready in minutes. The lightweight aluminum alloy frame locks in place using plastic hooks. Attach the graphic to the frame with hook and loop fasteners. Interchangeable graphics make it a versatile choice. Easily collapse the frame with front graphic attached and stow in your carry bag.

|                    |                                  |
|--------------------|----------------------------------|
| DISPLAY DIMENSIONS | 233.25"W x 117.62"H x 12.37"D    |
| GRAPHIC SIZE       | 257.25"W x 118"H (with end caps) |
|                    | 231.75"W x 118"H (no end caps)   |

## GRAPHIC MATERIAL

Stretch Fabric

## GRAPHIC FINISHING

2" Loop Velcro on back perimeter

## DISPLAY CONSTRUCTION

Aluminum frame, 2" Velcro (hook) strips, and plastic hooks.

## SHIPPING WEIGHTS & DIMENSIONS

|                     |                            |
|---------------------|----------------------------|
| Shipping Weight     | 61 lbs (stand only)        |
|                     | 70 lbs (frame and graphic) |
| Shipping Dimensions | 28"L x 14.25"W x 32.75"H   |

## LARGE QUANTITY FREIGHT

|                  |                                     |
|------------------|-------------------------------------|
| Freight Shipping | 6 boxes per 48"L x 40"W x 66"H skid |
| Freight Weight   | 411 lbs (frame only)                |
|                  | 465 lbs (frame & graphic)           |

## GRAPHIC TURN AROUND TIME

1 business day after proof approval

## AVAILABLE ACCESSORIES

|                    |                                 |
|--------------------|---------------------------------|
| T135 LED Light     | RPL LED Light (Black or Silver) |
| Genie Counter Case |                                 |

## AVAILABILITY

CA and PA



Plastic hooks



Collapsed Frame



RPL LED Light  
Available in Black or Silver  
(OPTIONAL)



20' x 10' Carry Bag  
(INCLUDED)



Genie Counter Case  
(OPTIONAL)



T135 LED Light  
(OPTIONAL)

# RPL 20'x 10' STRAIGHT

RPL FABRIC POP UP DISPLAY  
PRODUCT CODE: RPL8X4STR

## PARTS LIST



(Qty 1) 20' x 10' RPL Frame



(Qty 1) 20' x 10' Carry Bag

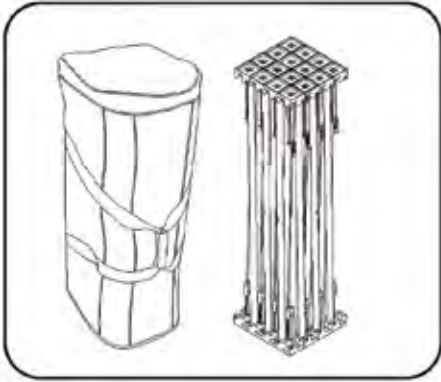


# RPL FABRIC POP UP DISPLAY SET UP INSTRUCTIONS

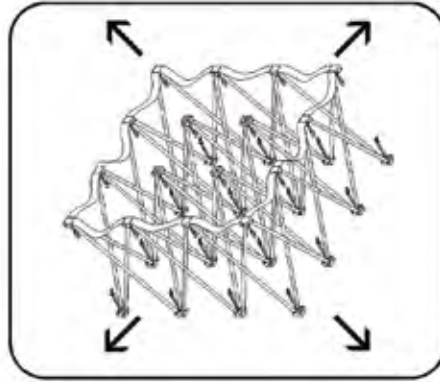
The following instructions are compatible with all shapes and sizes of RPL frames

## Frame Assembly

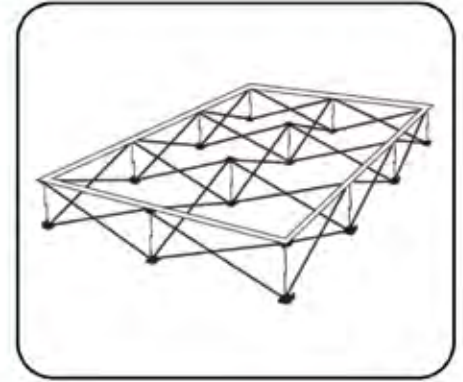
1. Remove frame from bag.



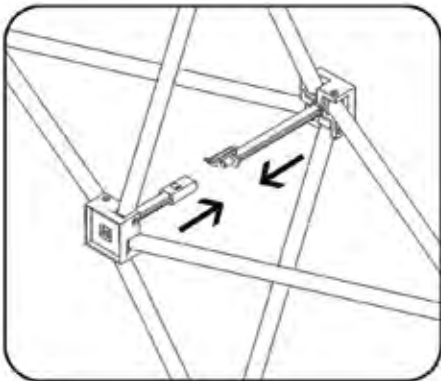
2. Expand frame by pulling outward.



3. Make sure velcro strips are facing up.

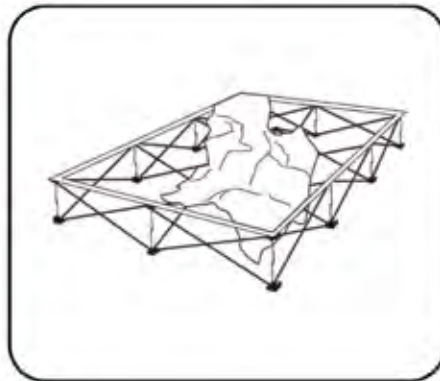


4. Push together all locks on frame to connect.

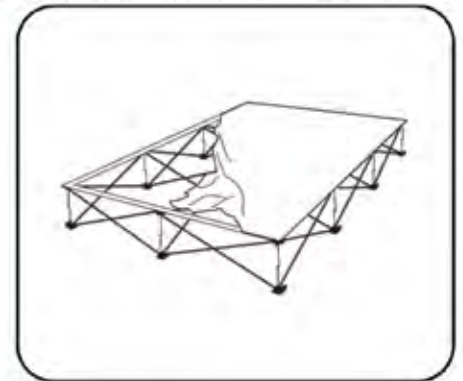


## Graphic Installation

5. Starting at one corner, attach velcro on the graphic to velcro on the frame.



6. Attach the rest of the graphic by working your way around the frame. Make sure graphic is pulled taut while attaching the velcro.

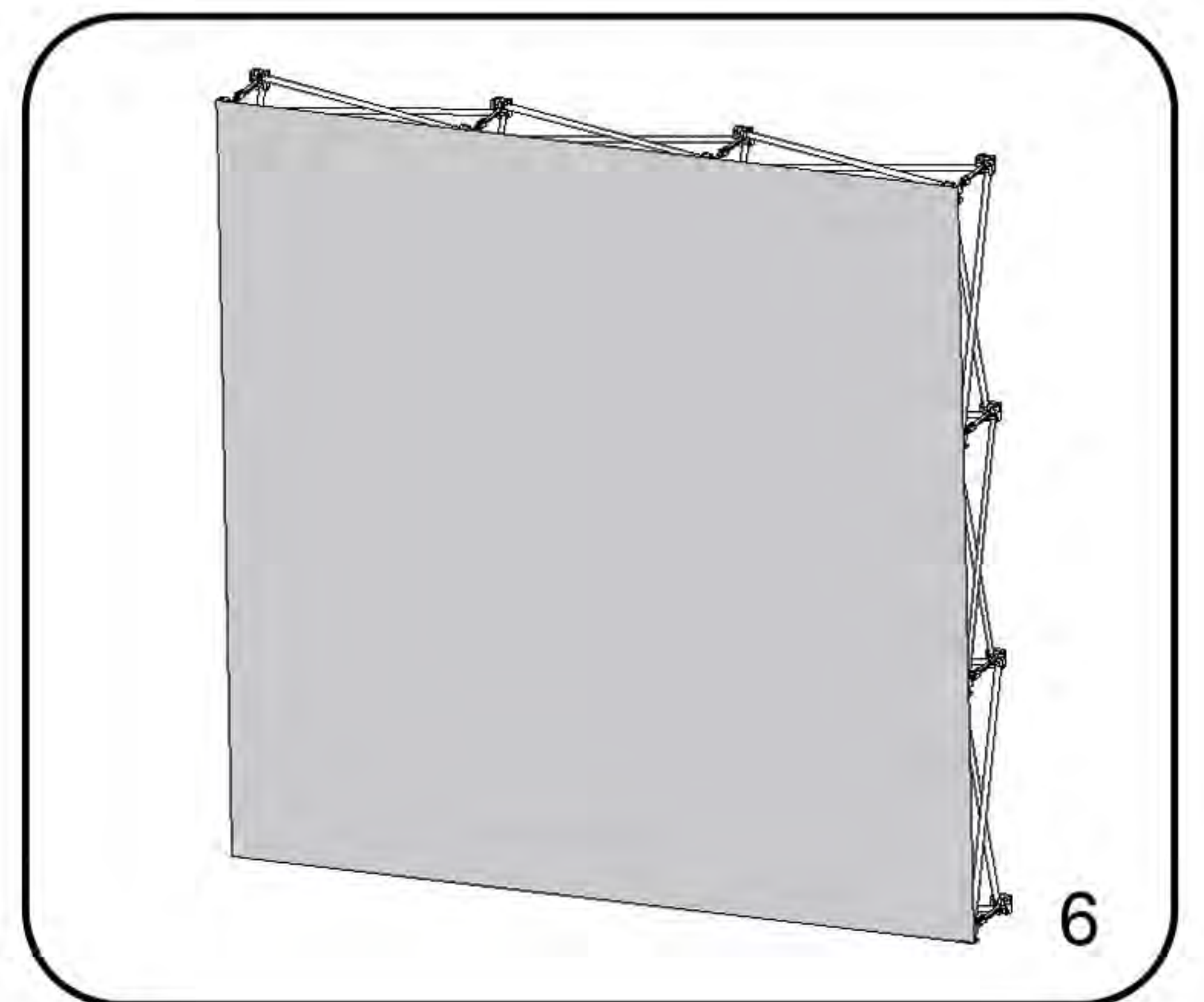
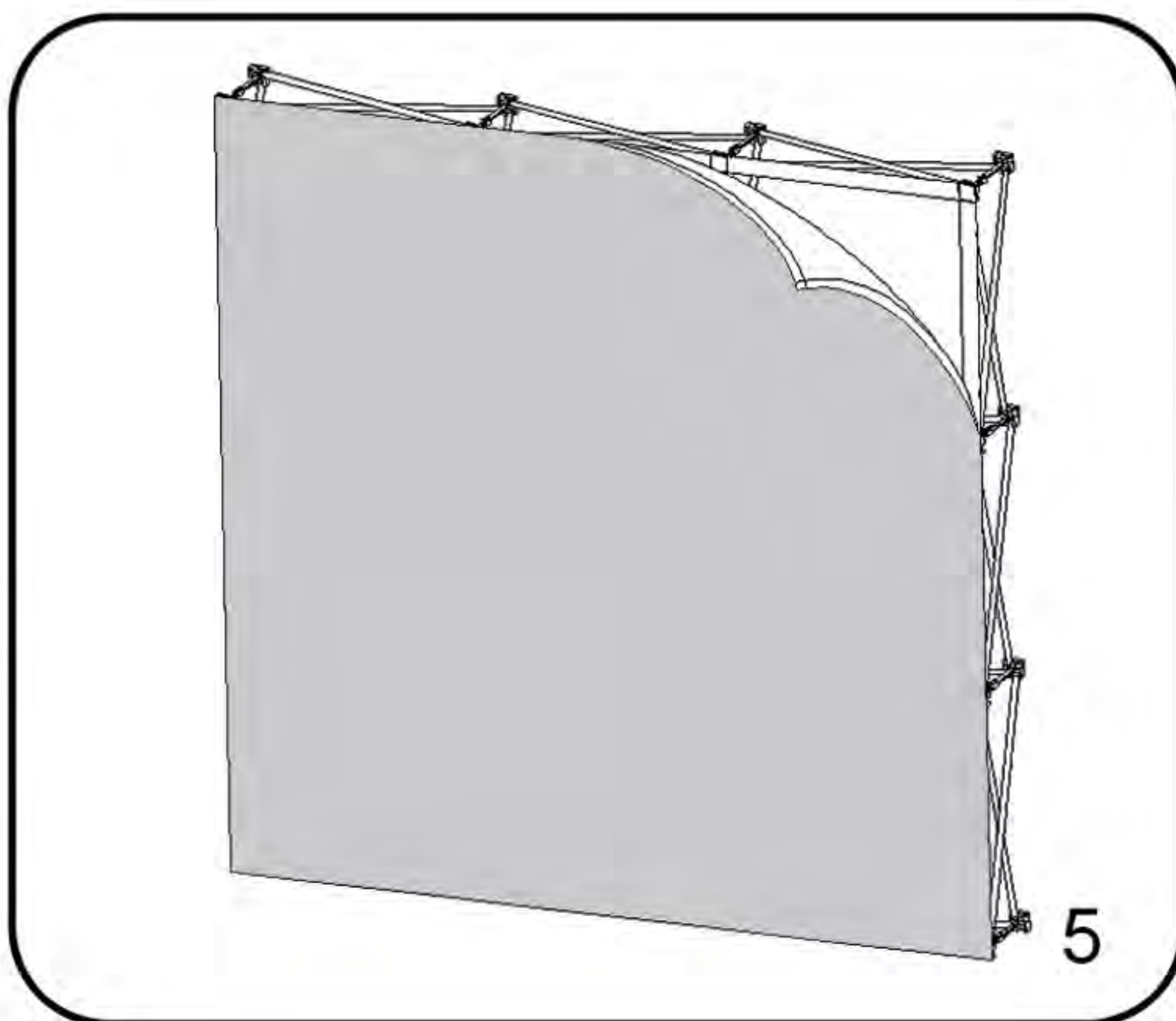
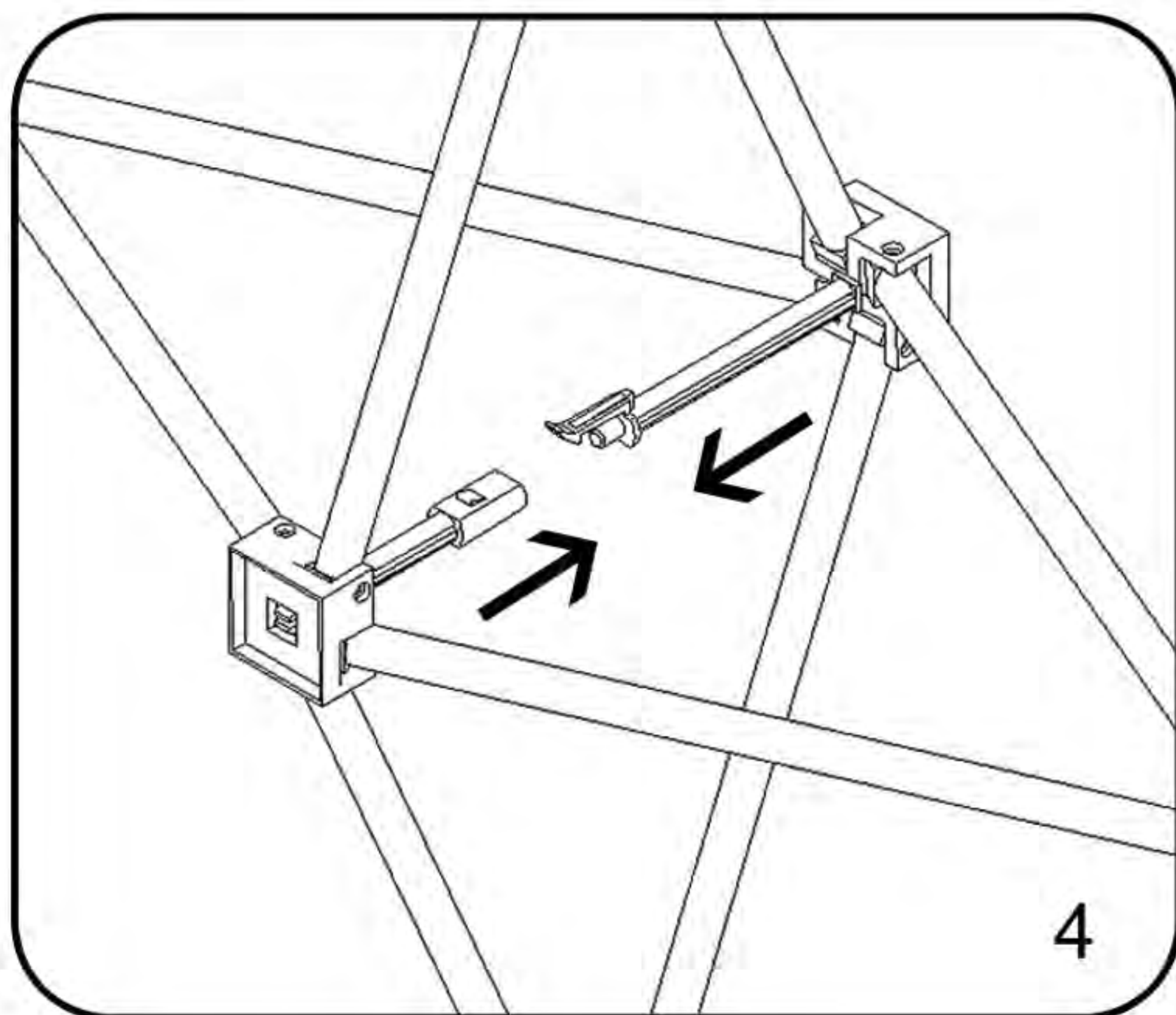
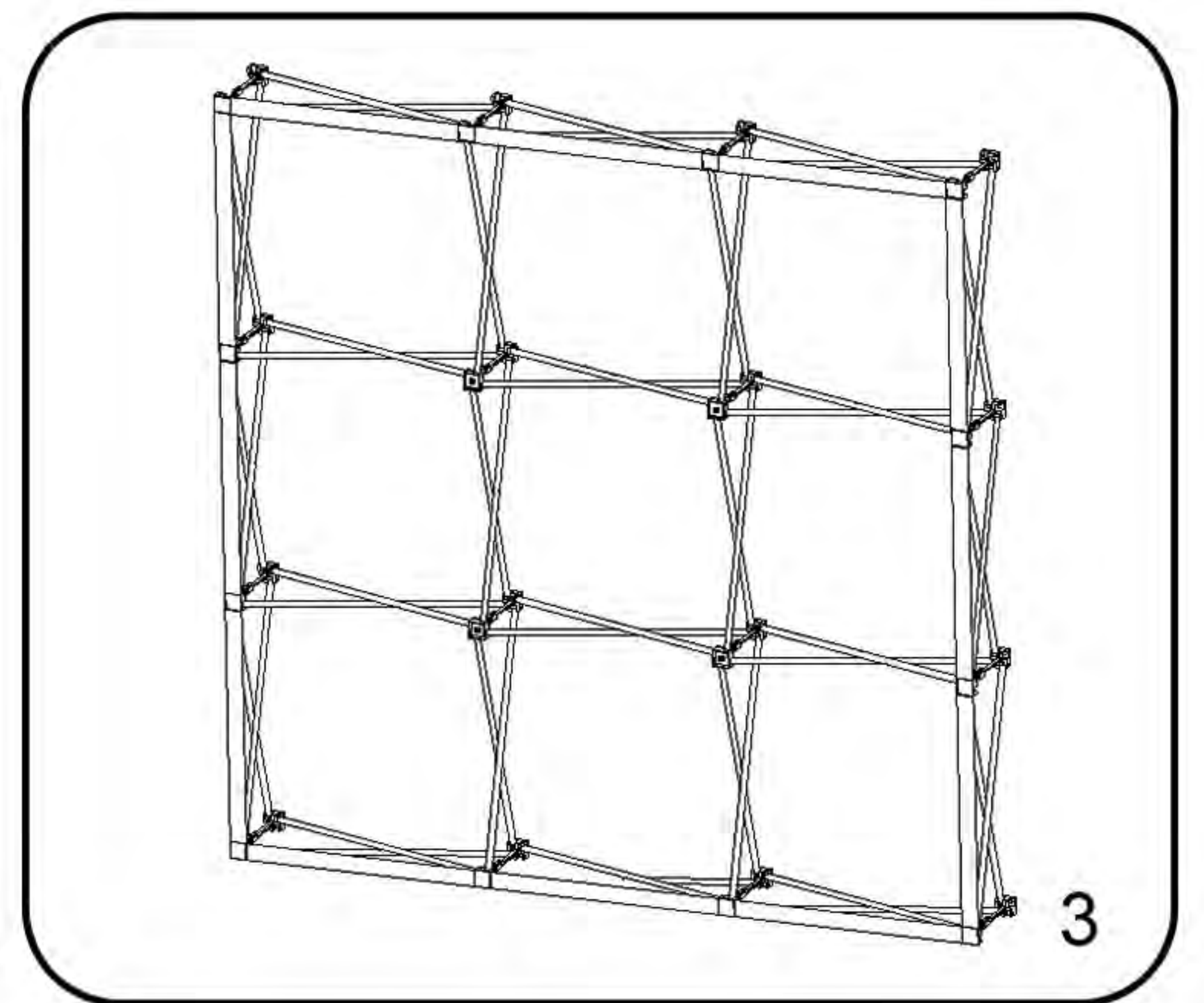
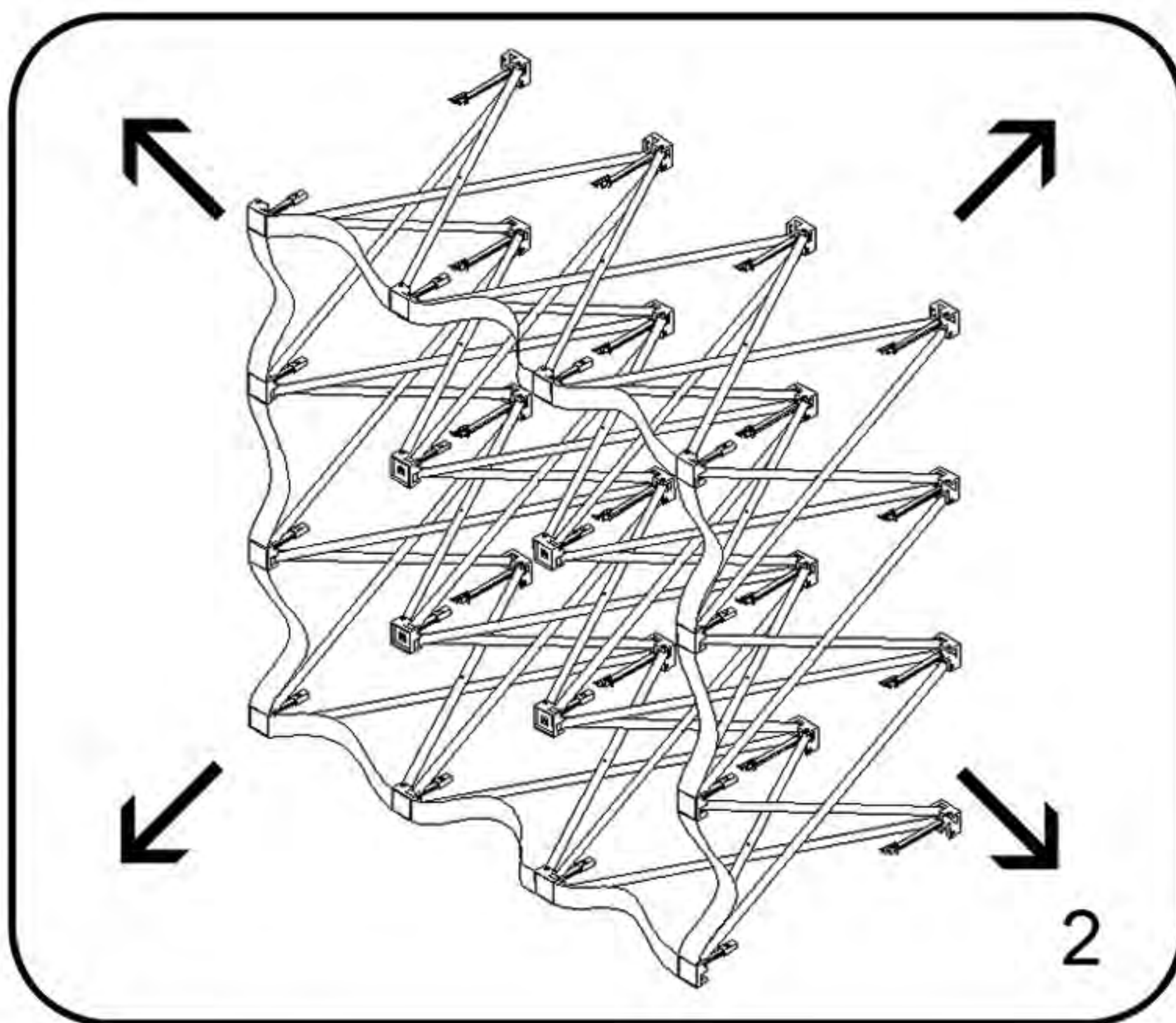
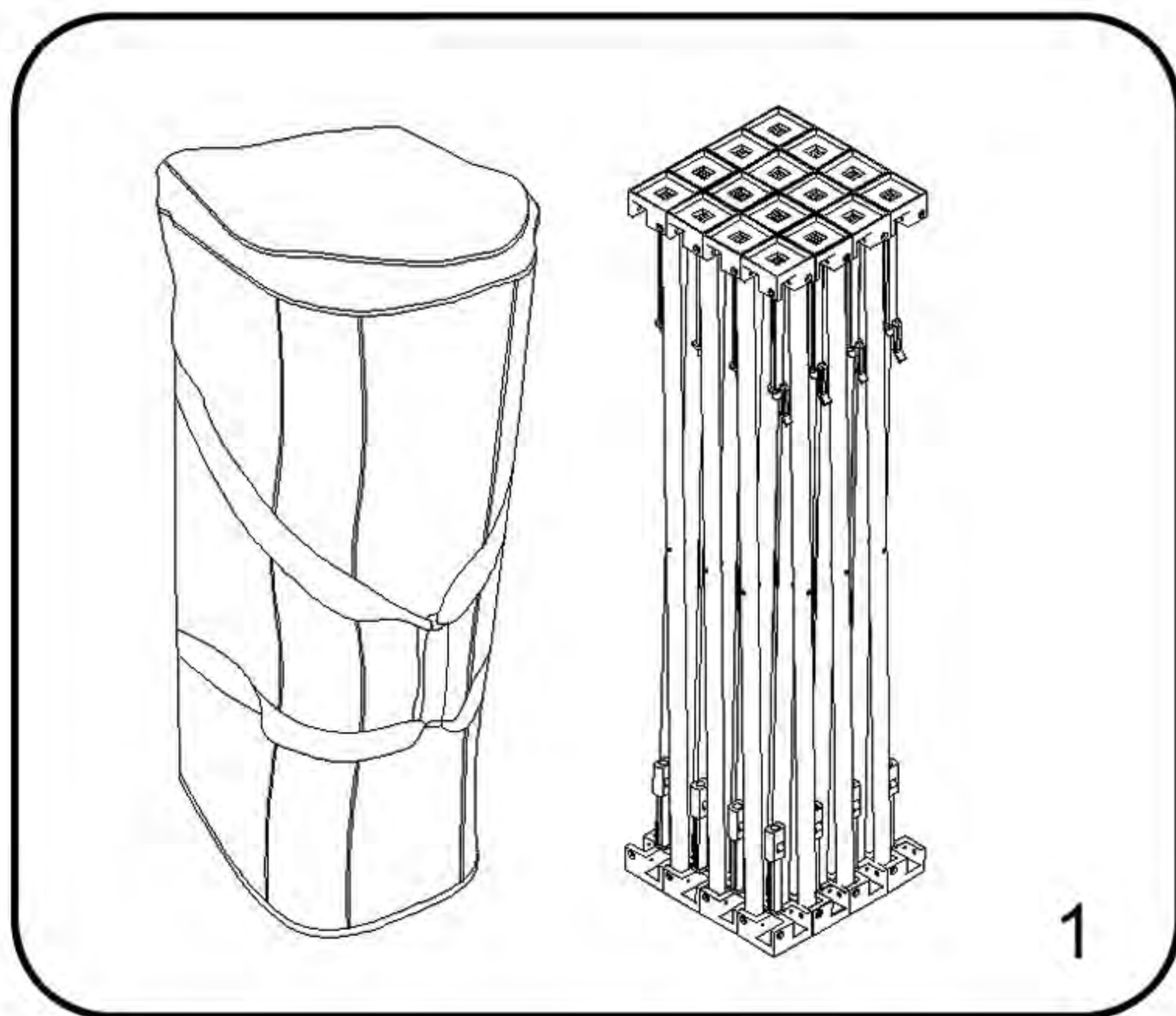


7. If needed, adjust graphic for maximum tautness. Secure end caps to complete.



\*Note - To avoid damage, disconnect end caps and all hooks before collapsing frame. Graphic can remain on frame during storage.

# RPL SET UP INSTRUCTIONS



## SIZES AVAILABLE

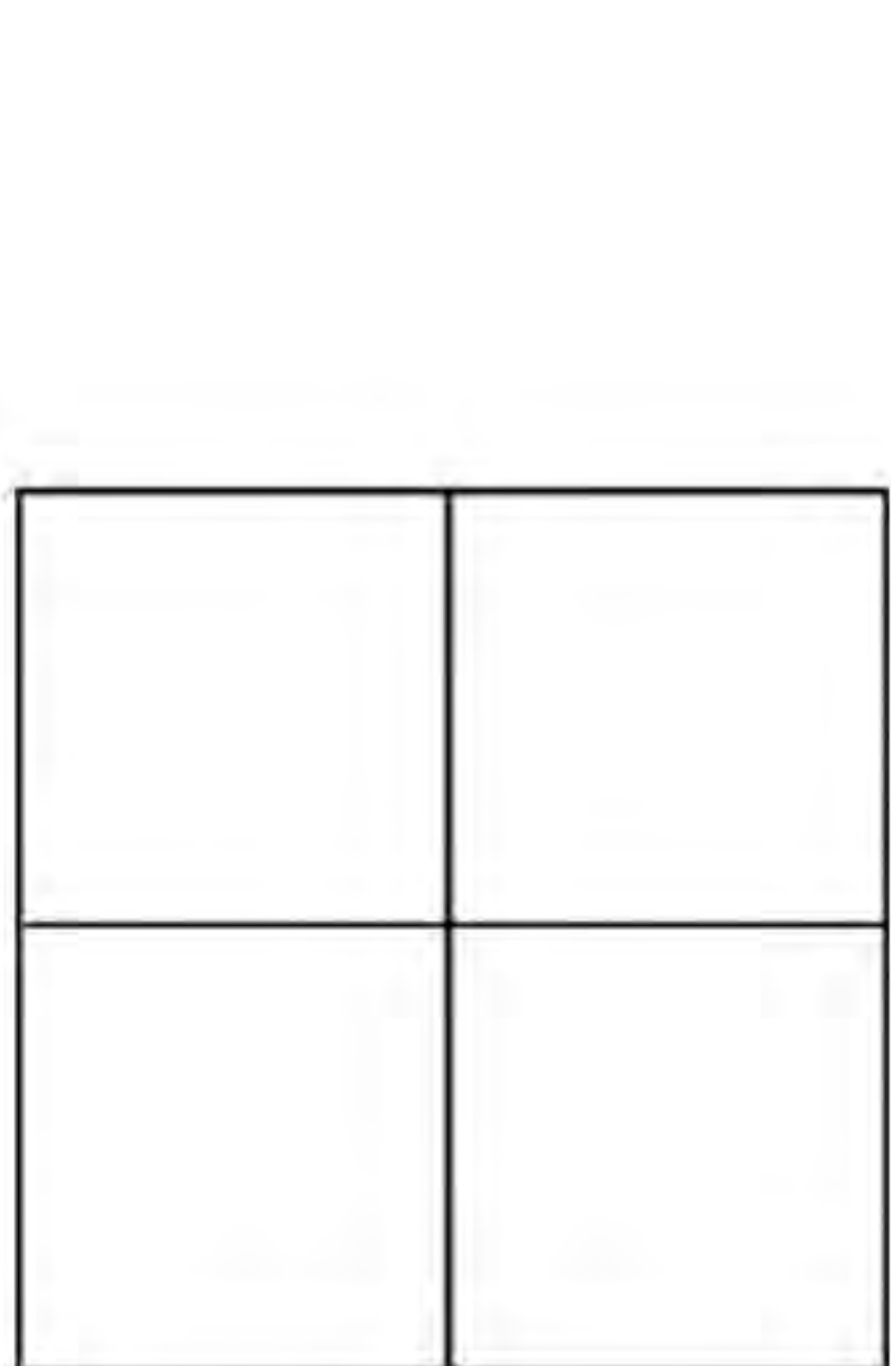
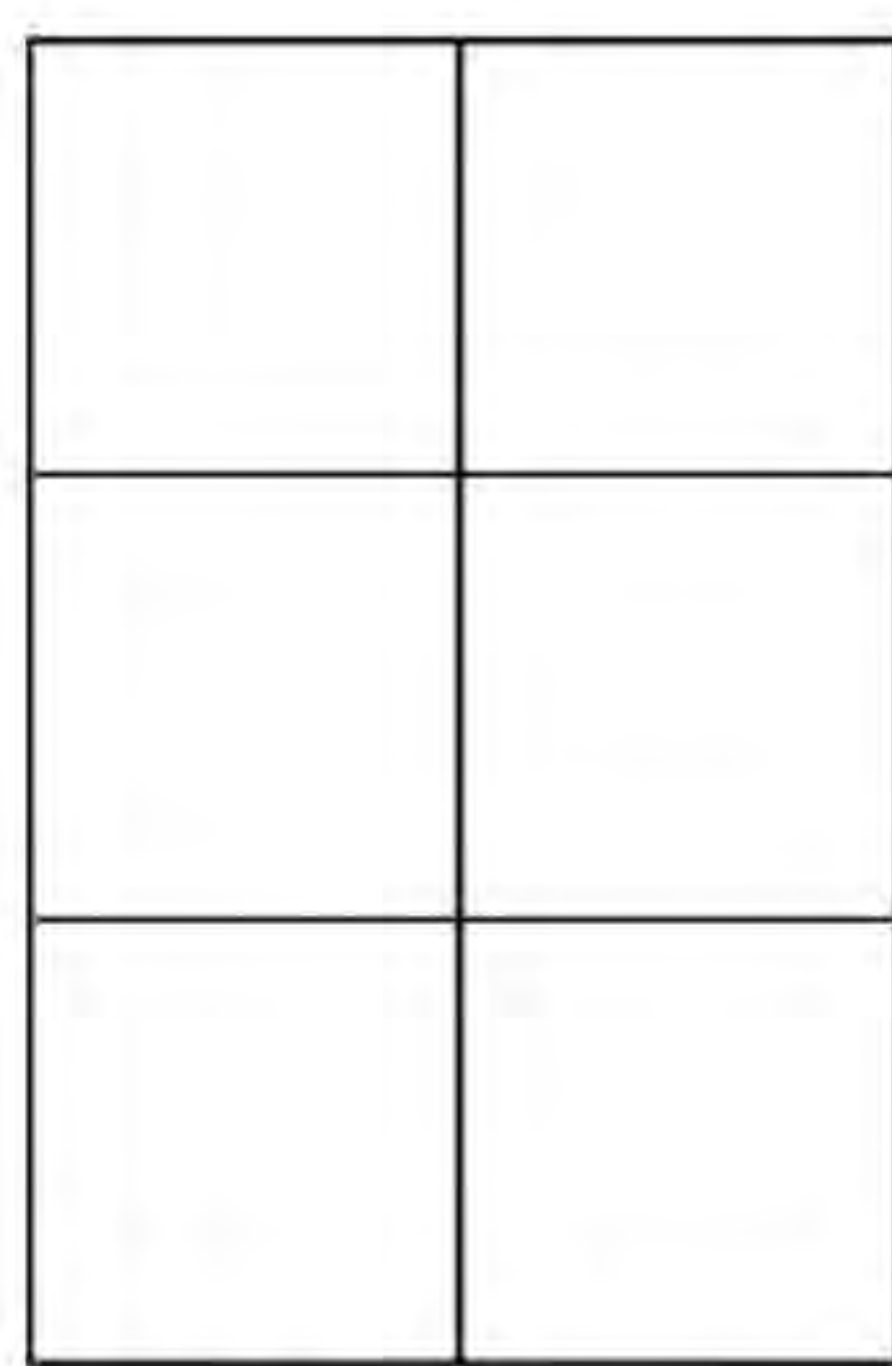
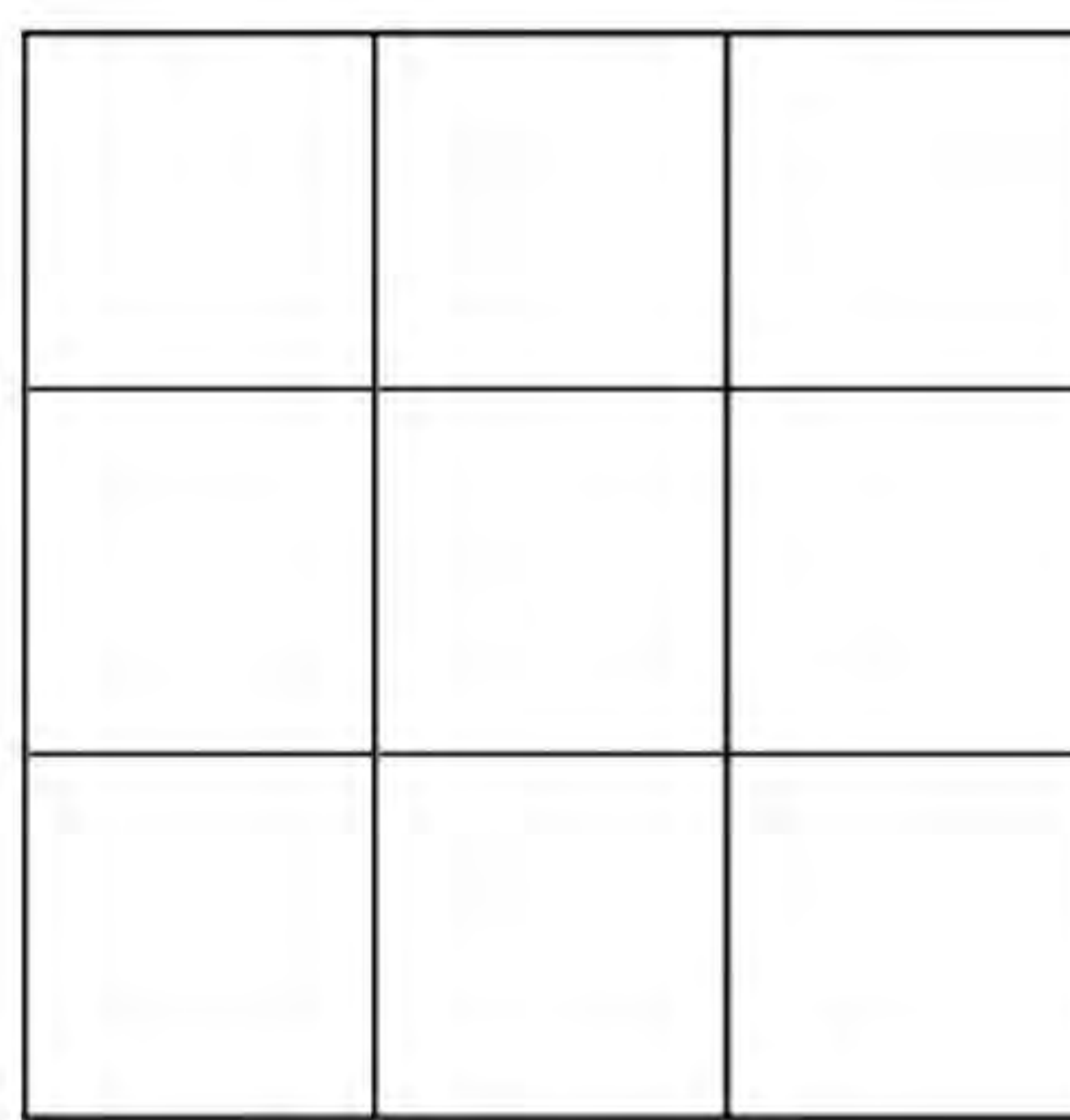


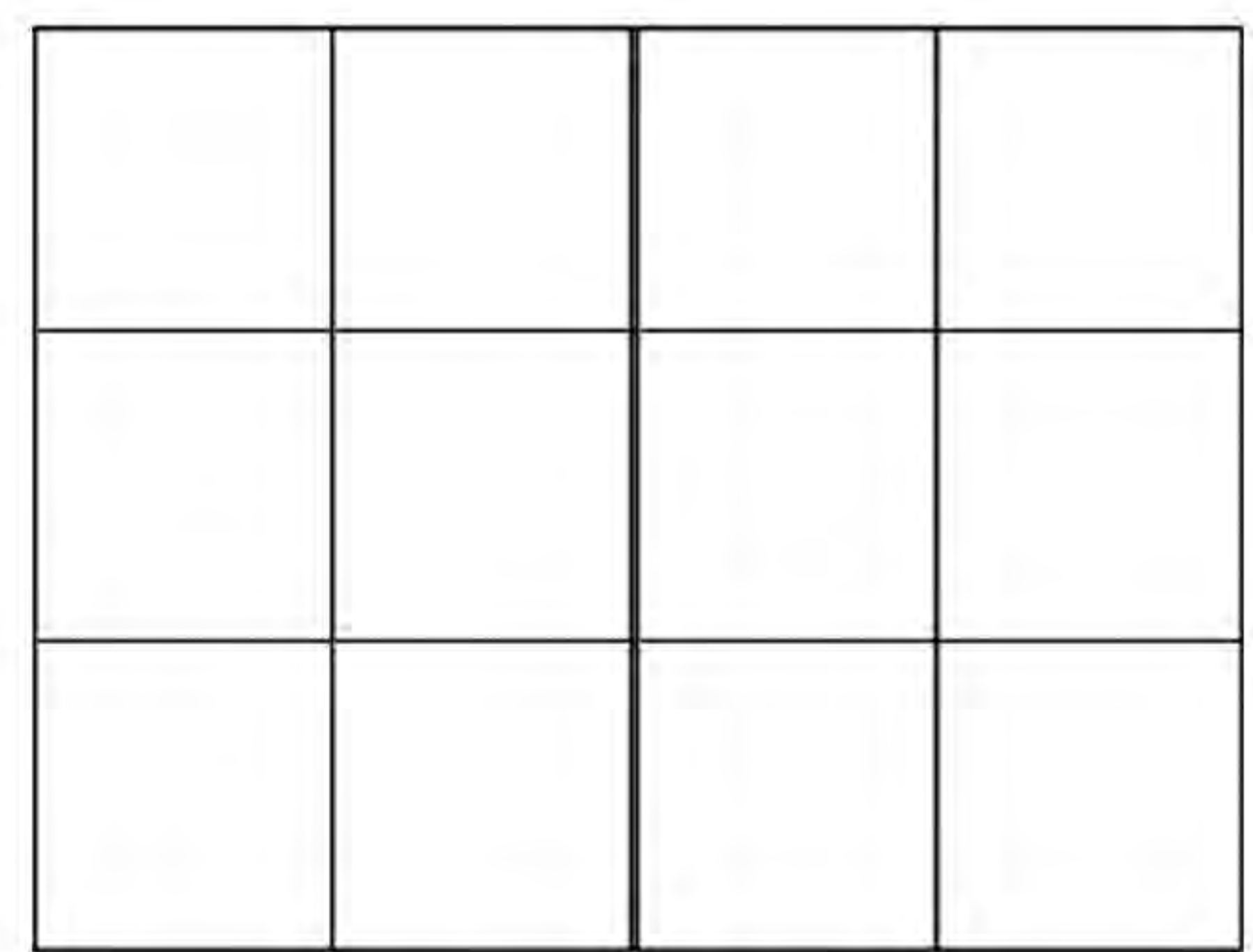
TABLE TOP



SMALL



MEDIUM



LARGE

SMALL, MEDIUM, LARGE ARE AVAILABLE IN STRAIGHT AND CURVED VERSIONS